

# INGCO

## Mixer

EN Mixer



**MX214001 UMX214001 MX214001-6**  
**MX214001S MX214001-8**



Inglés ..... Página 3- 11

## 1. PRODUCT DESCRIPTION

The machine has been designed to mix liquid and powdery building materials such as paint, mortar, adhesive, plaster and similar substances. The relevant mixing action (which depends on the consistency of the materials and the quantity that has to be mixed) must be set up for the appropriate mixing tool.

Please note that our unit has not been designed for commercial, industrial or professional use. We will not accept any guarantee claims if the unit was used in commercial, industrial or professional sectors or comparable activities.



You must abide by certain safety precautions when using the equipment, in order to prevent injuries and damages from occurring. Therefore you must always read through this operating manual carefully.

This manual must be kept in a safe place so that the information that it contains is always available. This operating manual must accompany the equipment if it is transferred to somebody else.

We do not accept any liability for accidents or damage arising from ignoring this manual and the safety instructions.

## 2. SPECIFICATIONS

N° de Modelo.	MX214001	MX214001-6 (Israel enchufe)	MX214001-8 (BS Plug)	MX21400S (SSA enchufe)	UMX214001
Voltage	220-240V ~ 50 / 60Hz			110-120V ~ 60Hz	
Power input	1400W 180-460 /			1400W 180-460 /	
No-load-speed	300-700min <sup>-1</sup>			300-700min <sup>-1</sup>	
Thread for fixing the Tool	120 mm			M14x2	
Mixing Paddle (φ max.)	M14x2			4-3 / 4"	

## 3. SAFETY INSTRUCTIONS

The following pictograms appear throughout these operating instructions:



*Indicates danger of injury, risk to life and possible damage to the appliance if these instructions are not followed.*



*Indicates the presence of electrical current.*

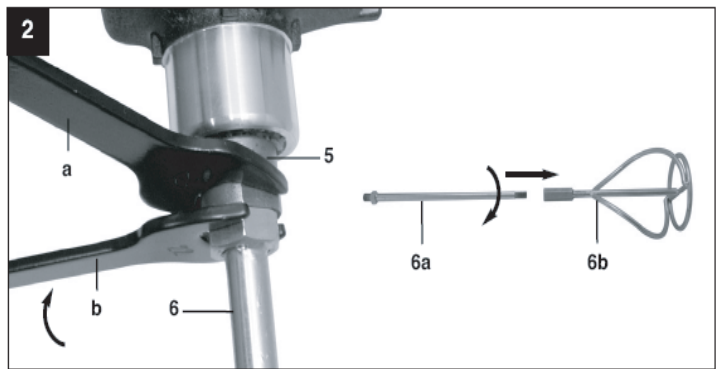
Read through these operating instructions carefully before using the appliance. Become familiar with the functions and method of operation. To ensure proper operation, always maintain the appliance according to the instructions. The operating instructions and associated documents should always be kept close to the appliance.

When using power tools, you must observe the following basic safety precautions in order to ensure protection from electric shocks, injury and fire. Read and follow all the instructions before using this power tool. Look after the notes on safety.









---







## SPARE PART LIST

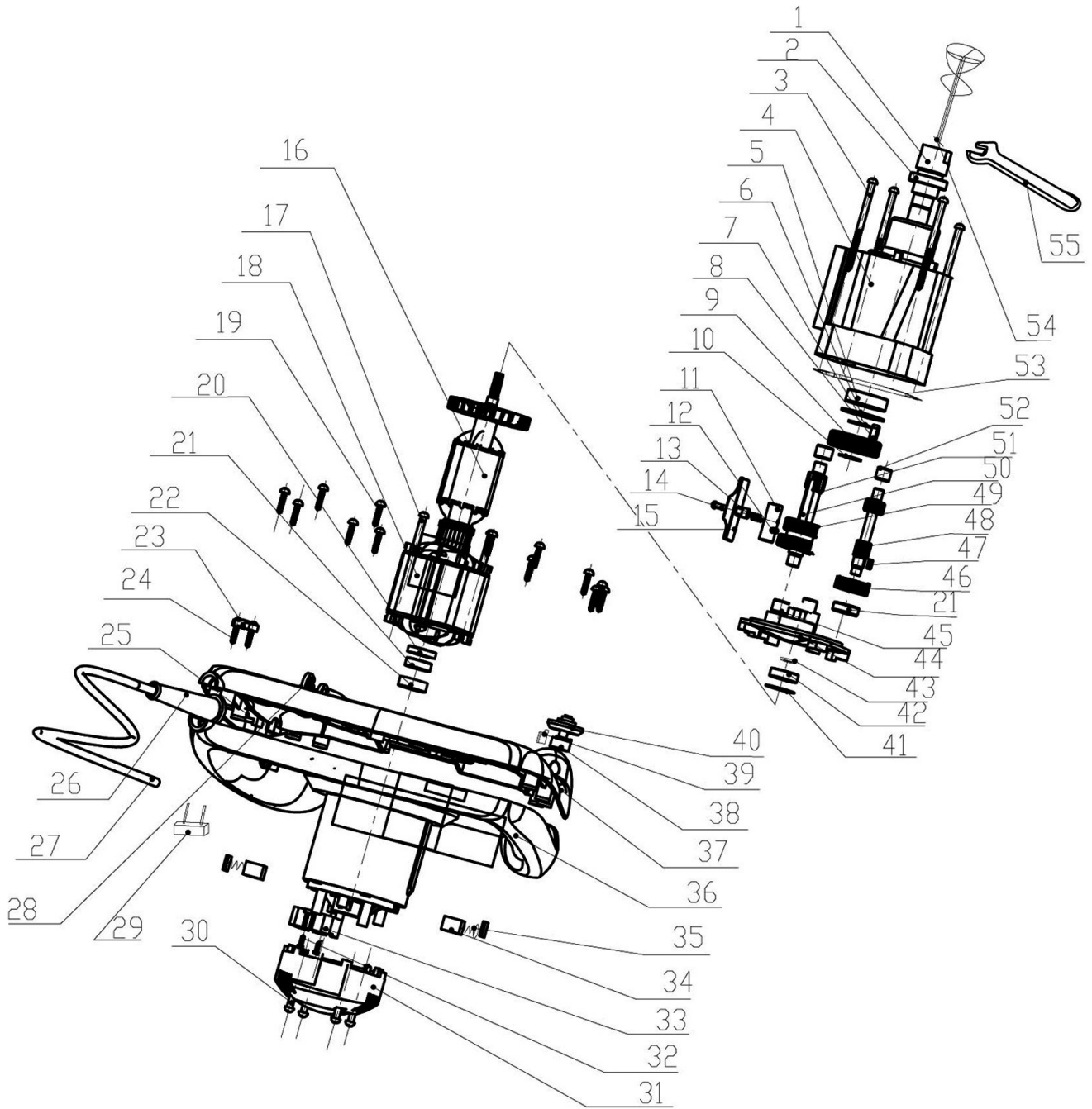
### MX214001, UMX214001, MX214001-6, MX214001-8, MX214001S Lista de recambios

No.	Parte Descripción	Cantidad	No.	Parte Descripción	Cantidad
1 2	Retén de ejes de	1 1	29	Capacitancia Crossing	1
3 4	salida	4 1	30	Tapping Screw St4 * 22-f	4
5 6	Crossing Tapping Screw ST5 * 57-f	1 1	31	Que contiene la contraportada Crossing	1
7 8	La cabeza de alojamiento	1 1	32	Tornillo Taladro St3 * 10	2
9	Teniendo 6003-2z Anillo	1 1	33	La integración de soporte	1
10	elástico Anillo elástico Para	1 1	34	del bloque de cepillo del	2
11	Axes35 Para Axes17	1 1	35	cepillo de carbón	2
12	Clave 5 * 12 Gran	1 1	36	Vivienda cubierta de la	1
13	engranaje para arandelas	2 1	37	manija de potenciómetros	1
14	Para Axes15	18	38	Potenciómetros buje	1
15	Palanca Shiftb	1 2	39	potenciómetro perilla	1
16	Alfiler	1 1	40		1
17	Empujar el botón de resorte que empuja	2 1	41	O-anillo de	1
18	el botón de fijación de tornillo	1 1	42	cojinete 609z	1
19	que empuja el botón	1	43	Sellar Pad tarjeta media	1
20	Rotor		44	del Cojinete de agujas Hr1010	1
21	Crossing Tapping Screw ST5 * 65-f		45		2
22	Asamblea estator Crossing Tornillo		46	engranaje diagonal	1
23	Taladro Dep4 * 18-F		47	Clave 4 * 8 principal	1
24	Anillo magnético de la tapa		48	eje de accionamiento del	1
25	del rodamiento 608z de		49	engranaje de dos pandillas	1
26	soportar 608		50	Clave 5 * 45 Variable	1
27	Plate Cable Crossing Tapping		51	cubierta de la aguja Teniendo	1
28	Screw St4 * 14-f Swicth (Fa1-8-8 / 28 (8)		52	Hr0810	2
	A250vac)		53	Papel Lavadora	1
	manga de cable		54	mezclador de paletas	1
	Cable		55	Llave	2
	Lnductor d'Assy				



# EXPLODING VIEW

MX214001, UMX214001, MX214001-6, MX214001-8, MX214001S vista de estallido

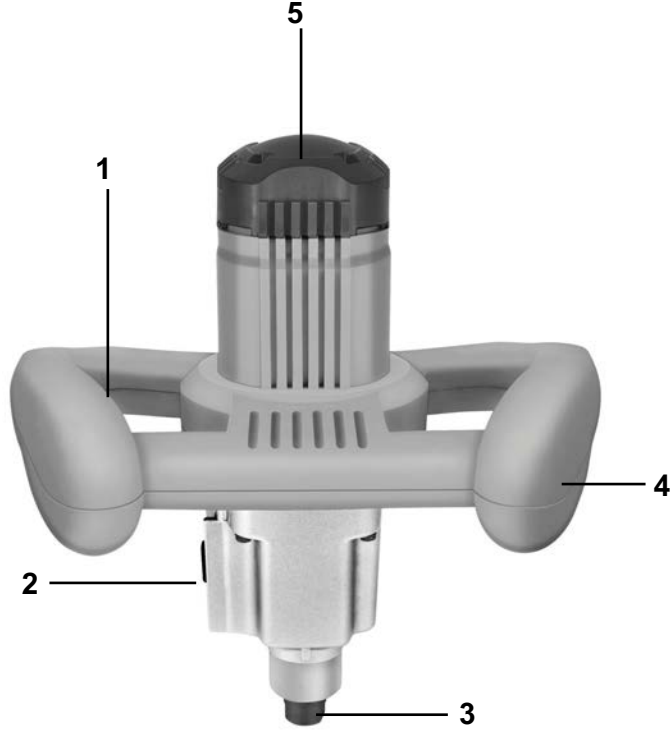


# INGCO

MX214001, UMX214001

MX214001-6, MX214001-8, MX214001S

## خلاط بويات موديل

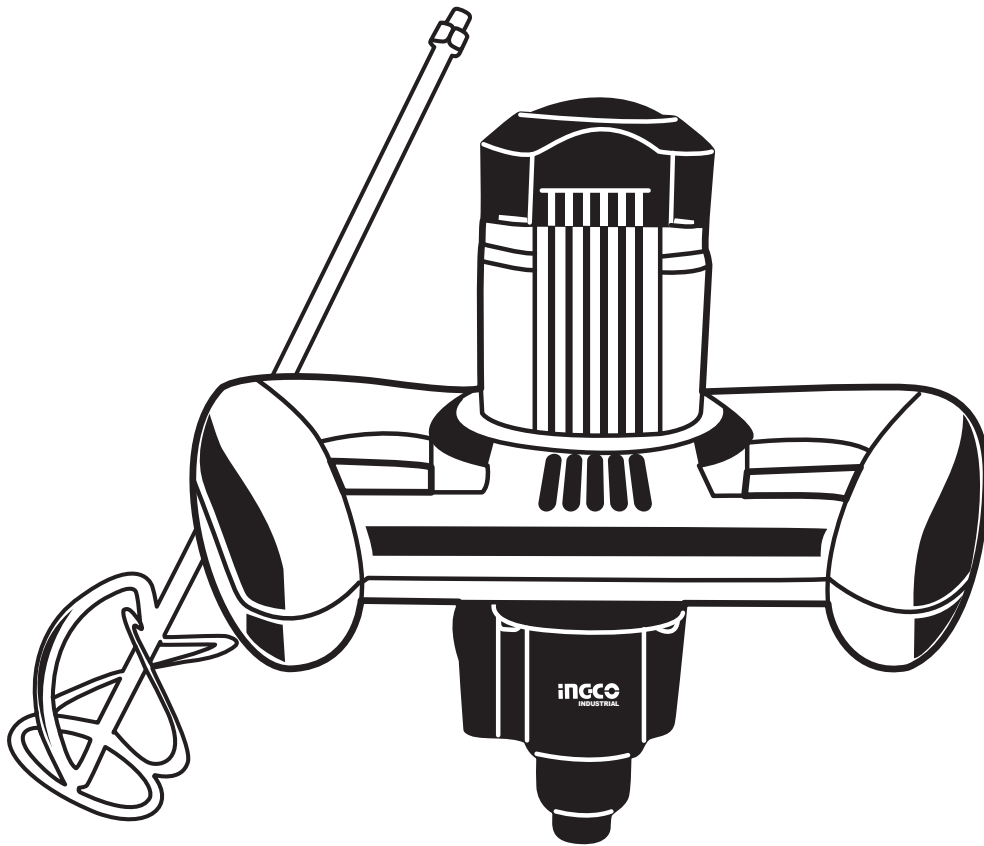


- 1 - مفتاح متعدد السرعات
- 2 - مفتاح 2 سرعه
- 3 - اكره ربط
- 4 - مفتاح تشغيل وأيقاف
- 5 - غطاء موتور خلفى

المنشأ صنع فى الصين

# INGCO

---



INGCO TOOLS CO., LIMITED  
[www.ingcotools.com](http://www.ingcotools.com)

MADE IN CHINA

0916.V04

**MX214001 UMX214001 MX214001-6 MX214001-8 MX214001S**