

INGCO

Heat Gun

EN Heat Gun

ES Pistola De Calor









**HG20008 UHG20008 HG20008-4 HG20008-6 HG20008-8 HG20008S
HG20008.2 UHG20008.2 HG20008.1 UHG20008.1 HG20082-1**

 **ingcoglobal**
 **INGCO GLOBAL**



The symbols in instruction manual and the label on the tool

| | |
|---|--|
|  | Double insulated for additional protection. |
|  | Read the instruction manual before using. |
|  | CE conformity. |
|  | Wear safety glasses, hearing protection and dust mask. |
|  | Waste electrical products should not be disposed of with household waste. Please recycle where facilities exist. Check with your Local Authority or retailer for recycling advice. |
|  | Safety alert. Please only use the accessories supported by the manufacture. |

GENERAL POWER TOOL SAFETY WARNINGS

WARNING Read all safety warnings and all instructions. Failure to follow the warnings and instructions may result in electric shock, fire and/or serious injury.

Save all warnings and instructions for future reference.

The term "power tool" in the warnings refers to your mains-operated (corded) power tool or battery-operated (cordless) power tool.

1) Work area safety

- a) **Keep work area clean and well lit.** Cluttered and dark areas invite accidents.
- b) **Do not operate power tools in explosive atmospheres, such as in the presence of flammable liquids, gases or dust.** Power tools create sparks which may ignite the dust or fumes.
- c) **Keep children and bystanders away while operating a power tool.** Distractions can cause you to lose control.

2) Electrical safety

- a) **Power tool plugs must match the outlet. Never modify the plug in any way. Do not use any adapter plugs with earthed (grounded) power tools.** Unmodified plugs and matching outlets will reduce risk of electric shock.
- b) **Avoid body contact with earthed or grounded surfaces such as pipes, radiators, ranges and refrigerators.** There is an increased risk of electric shock if your body is earthed or grounded.
- c) **Do not expose power tools to rain or wet conditions.** Water entering a power tool will increase the risk of electric shock.
- d) **Do not abuse the cord. Never use the cord for carrying, pulling or unplugging the power tool. Keep cord away from heat, oil, sharp edges or moving parts.** Damaged or entangled cords increase the risk of electric shock.
- e) **When operating a power tool outdoors, use an extension cord suitable for outdoor use.** Use of a cord suitable for outdoor use reduces the risk of electric shock.
- f) **If operating a power tools in a damp location is unavoidable, use**

a residual current device (RCD) protected supply. *Use of an RCD reduces the risk of electric shock.*

3) Personal safety

- a) **Stay alert, watch what you are doing and use common sense when operating a power tool. Do not use a power tool while you are tired or under the influence of drugs, alcohol or medication.** *A moment of inattention while operating power tools may result in serious personal injury.*
- b) **Use personal protective equipment. Always wear eye protection.** *Protective equipment such as dust mask, non-skid safety shoes, hard hat, or hearing protection used for appropriate conditions will reduce personal injuries.*
- c) **Prevent unintentional starting. Ensure the switch is in the off-position before connecting to power source and/or battery pack, picking up or carrying the tool.** *Carrying power tools with your finger on the switch or energizing power tools that have the switch on invites accidents.*
- d) **Remove any adjusting key or wrench before turning the power tool on.** *A wrench or a key left attached to a rotating part of the power tool may result in personal injury.*
- e) **Do not overreach. Keep proper footing and balance at all times.** *This enables better control of the power tool in unexpected situations.*
- f) **Dress properly. Do not wear loose clothing or jewellery. Keep your hair, clothing and gloves away from moving parts.** *Loose clothes, jewellery or long hair can be caught in moving parts.*
- g) **If devices are provided for the connection of dust extraction and collection facilities, ensure these are connected and properly used.** *Use of dust collection can reduce dust-related hazards.*

4) Power tool use and care

- a) **Do not force the power tool. Use the correct power tool for your application.** *The correct power tool will do the job better and safer at the rate for which it was designed.*
- b) **Do not use the power tool if the switch does not turn it on and off.** *Any power tool that cannot be controlled with the switch is dangerous*

and must be repaired.

- c) **Disconnect the plug from the power source and/or the battery pack from the power tool before making any adjustments, changing accessories, or storing power tools.** *Such preventive safety measures reduce the risk of starting the power tool accidentally.*
- d) **Store idle power tools out of the reach of children and do not allow persons unfamiliar with the power tool or these instructions to operate the power tool.** *Power tools are dangerous in the hands of untrained users.*
- e) **Maintain power tools. Check for misalignment or binding of moving parts, breakage of parts and any other condition that may affect the power tools operation. If damaged, have the power tool repaired before use.** *Many accidents are caused by poorly maintained power tools.*
- f) **Keep cutting tools sharp and clean.** *Properly maintained cutting tools with sharp cutting edges are less likely to bind and are easier to control.*
- g) **Use the power tool, accessories and tool bits etc. in accordance with these instructions, taking into account the working conditions and the work to be performed.** *Use of the power tool for operations different from those intended could result in a hazardous situation.*

5) Service

- a) **Have your power tool serviced by a qualified repair person using only identical.** *This will ensure that the safety of the power tool is maintained.*

Additional Safety Warnings

Safety instructions for all operations

Safety Warnings Common for Grinding, Sanding, Wire Brushing, Polishing or Abrasive Cutting-Off Operations:

- a) **This power tool is intended to function as a grinder, sander, wire brush, polisher or cut-off tool. Read all safety warnings, instructions, illustrations and specifications provided with this power tool.** *Failure to follow all instructions listed below may result in electric shock, fire and/or serious injury.*
- b) **Operations such as grinding, sanding, wire brushing, polishing or cutting-off are not recommended to be performed with this power tool.** *Operations for which the power tool was not designed may create a hazard and cause personal injury.*
- c) **Do not use accessories which are not specifically designed and recommended by the tool manufacturer.** *Just because the accessory can be attached to your power tool, it does not assure safe operation.*
- d) **The rated speed of the accessory must be at least equal to the maximum speed marked on the power tool.** *Accessories running faster than their rated speed can break and fly apart.*
- e) **The outside diameter and the thickness of your accessory must be within the capacity rating of your power tool.** *Incorrectly sized accessories cannot be adequately guarded or controlled.*
- f) **Threaded mounting of accessories must match the grinder spindle thread. For accessories mounted by flanges, the arbour hole of the accessory must fit the locating diameter of the flange.** *Accessories that do not match the mounting hardware of the power tool will run out of balance, vibrate excessively and may cause loss of control.*
- g) **Do not use a damaged accessory. Before each use inspect the accessory such as abrasive wheels for chips and cracks, backing pad for cracks, tear or excess wear, wire brush for loose or cracked wires. If power tool or accessory is dropped, inspect for damage or install an undamaged accessory. After inspecting and installing an accessory, position yourself and bystanders away from the plane of the rotating accessory and run the power tool at maximum no-load speed for one minute.** *Damaged accessories will normally break apart during this test time.*
- h) **Wear personal protective equipment. Depending on application, use face shield, safety goggles or safety glasses. As appropriate, wear dust mask, hearing protectors, gloves and workshop apron capable of stopping small abrasive or workpiece fragments.** *The eye protection must be capable of stopping flying debris generated by various operations. The dust mask or respirator must be capable of filtering particles generated by your operation. Prolonged exposure to high intensity noise may cause hearing loss.*
- i) **Keep bystanders a safe distance away from work area. Anyone entering the work area must wear personal protective equipment.** *Fragments of workpiece or of a broken accessory may fly away and cause injury beyond immediate area of operation.*
- j) **Hold the power tool by insulated gripping surfaces only, when performing an operation where the cutting accessory may contact hidden wiring or its own cord.** *Cutting accessory contacting a "live" wire may make exposed metal parts of the power tool "live" and could give the operator an electric shock.*
- k) **Position the cord clear of the spinning accessory.** *If you lose control, the cord may be cut or snagged and your hand or arm may be pulled into the spinning accessory.*
- l) **Never lay the power tool down until the accessory has come to a complete stop.** *The spinning accessory may grab the surface and pull the power tool out of your control.*
- m) **Do not run the power tool while carrying it at your side.** *Accidental contact with the spinning accessory could snag your clothing, pulling the accessory into your body.*
- n) **Regularly clean the power tool's air vents.** *The motor's fan will draw the dust inside the housing*

and excessive accumulation of powdered metal may cause electrical hazards.

- o) **Do not operate the power tool near flammable materials.** *Sparks could ignite these materials.*
- p) **Do not use accessories that require liquid coolants.** *Using water or other liquid coolants may result in electrocution or shock.*

Further safety instructions for all operations

Kickback and Related Warnings

Kickback is a sudden reaction to a pinched or snagged rotating wheel, backing pad, brush or any other accessory. Pinching or snagging causes rapid stalling of the rotating accessory which in turn causes the uncontrolled power tool to be forced in the direction opposite of the accessory's rotation at the point of the binding.

For example, if an abrasive wheel is snagged or pinched by the workpiece, the edge of the wheel that is entering into the pinch point can dig into the surface of the material causing the wheel to climb out or kick out. The wheel may either jump toward or away from the operator, depending on direction of the wheel's movement at the point of pinching. Abrasive wheels may also break under these conditions.

Kickback is the result of power tool misuse and/or incorrect operating procedures or conditions and can be avoided by taking proper precautions as given below.

- a) **Maintain a firm grip on the power tool and position your body and arm to allow you to resist kickback forces. Always use auxiliary handle, if provided, for maximum control over kickback or torque reaction during start-up.** *The operator can control torque reactions or kickback forces, if proper precautions are taken.*
- b) **Never place your hand near the rotating accessory.** *Accessory may kickback over your hand.*
- c) **Do not position your body in the area where power tool will move if kickback occurs.** *Kickback will propel the tool in direction opposite to the wheel's movement at the point of snagging.*
- d) **Use special care when working corners, sharp edges etc. Avoid bouncing and snagging the accessory.** *Corners, sharp edges or bouncing have a tendency to snag the rotating accessory and cause loss of control or kickback.*
- e) **Do not attach a saw chain woodcarving blade or toothed saw blade.** *Such blades create frequent kickback and loss of control.*

Additional safety instructions for grinding and cutting-off operations

Safety Warnings Specific for Grinding and Abrasive Cutting-Off Operations:

- a) **Use only wheel types that are recommended for your power tool and the specific guard designed for the selected wheel.** *Wheels for which the power tool was not designed cannot be adequately guarded and are unsafe.*
- b) **The grinding surface of centre depressed wheels must be mounted below the plane of the guard lip.** *An improperly mounted wheel that projects through the plane of the guard lip cannot be adequately protected.*
- c) **The guard must be securely attached to the power tool and positioned for maximum safety, so the least amount of wheel is exposed towards the operator.** *The guard helps to protect the operator from broken wheel fragments, accidental contact with wheel and sparks that could ignite clothing.*
- d) **Wheels must be used only for recommended applications. For example: do not grind with the side of cut-off wheel.** *Abrasive cut-off wheels are intended for peripheral grinding, side forces applied to these wheels may cause them to shatter.*

- e) **Always use undamaged wheel flanges that are of correct size and shape for your selected wheel.** *Proper wheel flanges support the wheel thus reducing the possibility of wheel breakage. Flanges for cut-off wheels may be different from grinding wheel flanges.*
- f) **Do not use worn down wheels from larger power tools.** *Wheel intended for larger power tool is not suitable for the higher speed of a smaller tool and may burst.*

Additional safety instructions for cutting-off operations

Additional Safety Warnings Specific for Abrasive Cutting-Off Operations:

- a) **Do not “jam” the cut-off wheel or apply excessive pressure. Do not attempt to make an excessive depth of cut.** *Overstressing the wheel increases the loading and susceptibility to twisting or binding of the wheel in the cut and the possibility of kickback or wheel breakage.*
- b) **Do not position your body in line with and behind the rotating wheel.** *When the wheel, at the point of operation, is moving away from your body, the possible kickback may propel the spinning wheel and the power tool directly at you.*
- c) **When wheel is binding or when interrupting a cut for any reason, switch off the power tool and hold the power tool motionless until the wheel comes to a complete stop. Never attempt to remove the cut-off wheel from the cut while the wheel is in motion otherwise kickback may occur.** *Investigate and take corrective action to eliminate the cause of wheel binding.*
- d) **Do not restart the cutting operation in the workpiece. Let the wheel reach full speed and carefully re-enter the cut.** *The wheel may bind, walk up or kickback if the power tool is restarted in the workpiece.*
- e) **Support panels or any oversized workpiece to minimize the risk of wheel pinching and kickback.** *Large workpieces tend to sag under their own weight. Supports must be placed under the workpiece near the line of cut and near the edge of the workpiece on both sides of the wheel.*
- f) **Use extra caution when making a “pocket cut” into existing walls or other blind areas.** *The protruding wheel may cut gas or water pipes, electrical wiring or objects that can cause kickback.*

Additional safety instructions for sanding operations

Safety Warnings Specific for Sanding Operations:

- a) **Do not use excessively oversized sanding disc paper. Follow manufacturers recommendations, when selecting sanding paper.** *Larger sanding paper extending beyond the sanding pad presents a laceration hazard and may cause snagging, tearing of the disc or kickback.*

Additional safety instructions for polishing operations

Safety Warnings Specific for Polishing Operations:

- a) **Do not allow any loose portion of the polishing bonnet or its attachment strings to spin freely. Tuck away or trim any loose attachment strings.** *Loose and spinning attachment strings can entangle your fingers or snag on the workpiece.*

Additional safety instructions for wire brushing operations

Safety Warnings Specific for Wire Brushing Operations:

- a) **Be aware that wire bristles are thrown by the brush even during ordinary operation. Do not overstress the wires by applying excessive load to the brush.** *The wire bristles can easily penetrate light clothing and/or skin.*
- b) **If the use of a guard is recommended for wire brushing, do not allow any interference of the wire wheel or brush with the guard.** *Wire wheel or brush may expand in diameter due to work load and centrifugal forces.*

Residual risks

Even when the power tool is used as prescribed it is not possible to eliminate all residual risk factors. The following hazards may arise in connection with the power tool's construction and design:

- a) Health defects resulting from vibration emission if the power tool is being used over longer period of time or not adequately managed and properly maintained.
- b) Injuries and damage to property to due to broken accessories that are suddenly dashed.



Warning! This power tool produces an electromagnetic field during operation. This field may under some circumstances interfere with active or passive medical implants. To reduce the risk of serious or fatal injury, we recommend persons with medical implants to consult their physician and the medical implant manufacturer before operating this power tool.

Caution! Read carefully this instruction and the separate safety instructions, to reduce the risk of electric shock, other injury or fire before using the HOT AIR GUN.

1. Safety instructions:

- Never use the equipment as a hair dryer.
- Never block the air inlet or outlet.
- If the supply cord is damaged, it must be replaced by the manufacturer, its service agent or similarly qualified persons in order to avoid a hazard..
- Do not use the equipment in an explosive atmosphere (danger of explosion).
- Improper use can lead to fire.
- Do not aim the airflow directly at people or animals.
- Before putting the equipment away after use, let it cool down completely.
- When not in use, always store the equipment in a dry place, locked away and inaccessible to children.
- After using the equipment, place it down with the nozzle upward and before storing let it cool down completely.
- Never leave the gun unattended when it is switched on. Keep an eye on children.
- A fire may result if the appliance is not used with care, therefore
- be careful when using the appliance in places where there are combustible materials.
- do not apply to the same place for a long time.
- be aware that heat may be conducted to combustible materials that are out of sight

- 1: Nozzle
- 2: Heat protector
- 3: Housing
- 4: LCD Display
- only for HG20008.2,
UHG20008.2 and HG20082-1
- 5: Switch
- 6: Soft grip handle
- 7: Cable sleeve
- 8: Variable temperature
- only for HG20008.1
and UHG20008.1



2. Technical Specifications

| | | | |
|------------------------|-------------------|------------------------|------------------------|
| Item No. | HG20008/HG20008-4 | HG20008.1 | HG20008.2 / HG20082-1 |
| Voltage | 220-240V~50/60Hz | 220-240V~50/60Hz | 220-240V~50/60Hz |
| Power consumption max | 2000W | 2000W | 2000W |
| Adjustable temperature | 350°C/550°C | 80°C/80-600°C/80-600°C | 50°C/70-600°C/70-600°C |
| Airflow | 300/500 L/min | 350/350/500 L/min | 300/300/500 L/min |

| | | | |
|------------------------|------------------|------------------------|------------------------|
| Item No. | UHG20008 | UHG20008.1 | UHG20008.2 |
| Voltage | 110-120V~50/60Hz | 110-120V~50/60Hz | 110-120V~50/60Hz |
| Power consumption max | 2000W | 2000W | 2000W |
| Adjustable temperature | 350°C/550°C | 80°C/80-600°C/80-600°C | 50°C/70-600°C/70-600°C |
| Airflow | 300/500 L/min | 350/350/500 L/min | 300/300/500 L/min |

| | | | |
|------------------------|----------------------------|------------------------|------------------------|
| Item No. | HG20008-6 (ISRAEL Plug) | HG20008-8 (BS Plug) | HG20008S (SAA Plug) |
| Voltage | 220-240V~50/60Hz | 220-240V~50/60Hz | 220-240V~50/60Hz |
| Power consumption max | 2000W | 2000W | 2000W |
| Adjustable temperature | 350°C/550°C | 350°C/550°C | 350°C/550°C |
| Airflow | 300/500 L/min | 300/500 L/min | 300/500 L/min |

3. Some applications:

- Removing paint /dissolving adhesives.
- Shaping plastic tubing.
- Welding plastics.
- Shrink heat fitting.
- Defrosting water pipes.

4. Putting into operation

(1) For HG20008 and UHG20008

The gun starts operating when the switch is pushed upward to position “II” for high level or to position “I” for low level as illustrated.

The blower stops working when the switch is pushed downward of position “O”. It can be packed when it is cooled down.

(2) For HG20008 and UHG20008

The gun starts operating when the switch is pushed upward to position “II” and “III” for high level or to position “I” for low level as illustrated.

The blower stops working when the switch is pushed downward of position “O”. It can be packed when it is cooled down.

(3) For HG20008.2、 UHG20008.2 and HG20082-1

Operation

Switching on:

Slide the switch to I,II or III. I:300l/min 50°C constant II:300l/min 70°C-600°C, III:500l/min 70°C-600°C.

On the steps II and III,the temperature at the nozzle outlet can be continuously regulated. After displaying the target temperature, the actual temperature(e.g.100°C) at the nozzle outlet is shown with blinking until the selected target temperature is reached. The arrows then disappear and the display shows the actual temperature. The target temperature can be increased in steps of 10 degree by pressing the + side of the temperature button or reduced pressing the-. Brief pressing of the button increase or decreases the target temperature on time by 10 degree. When the temperature exceeds 600 degrees, the heat switches off automatically.However,the heater continues to run.When the heater has cooled to operating temperature,the heater is switched on again.

5. Maintenance

- For safe and proper working, always keep the ventilation slots clean.
- Waste electrical products should not be disposed of with household waste.

Please recycle where facilities exist. Check with your local authority or retailer for recycling advice.

The appliance is not intended for use by persons (including children) with reduced physical sensory or mental capabilities, or lack of experience and knowledge, unless they have been given supervision or instruction concerning use of the appliance by a person responsible for their safety.

Children should be supervised to ensure that they do not play with the appliance.



Do not dispose of electrical appliances as unsorted municipal waste, use separate collection facilities.

Contact your local government for information regarding the collection systems available.

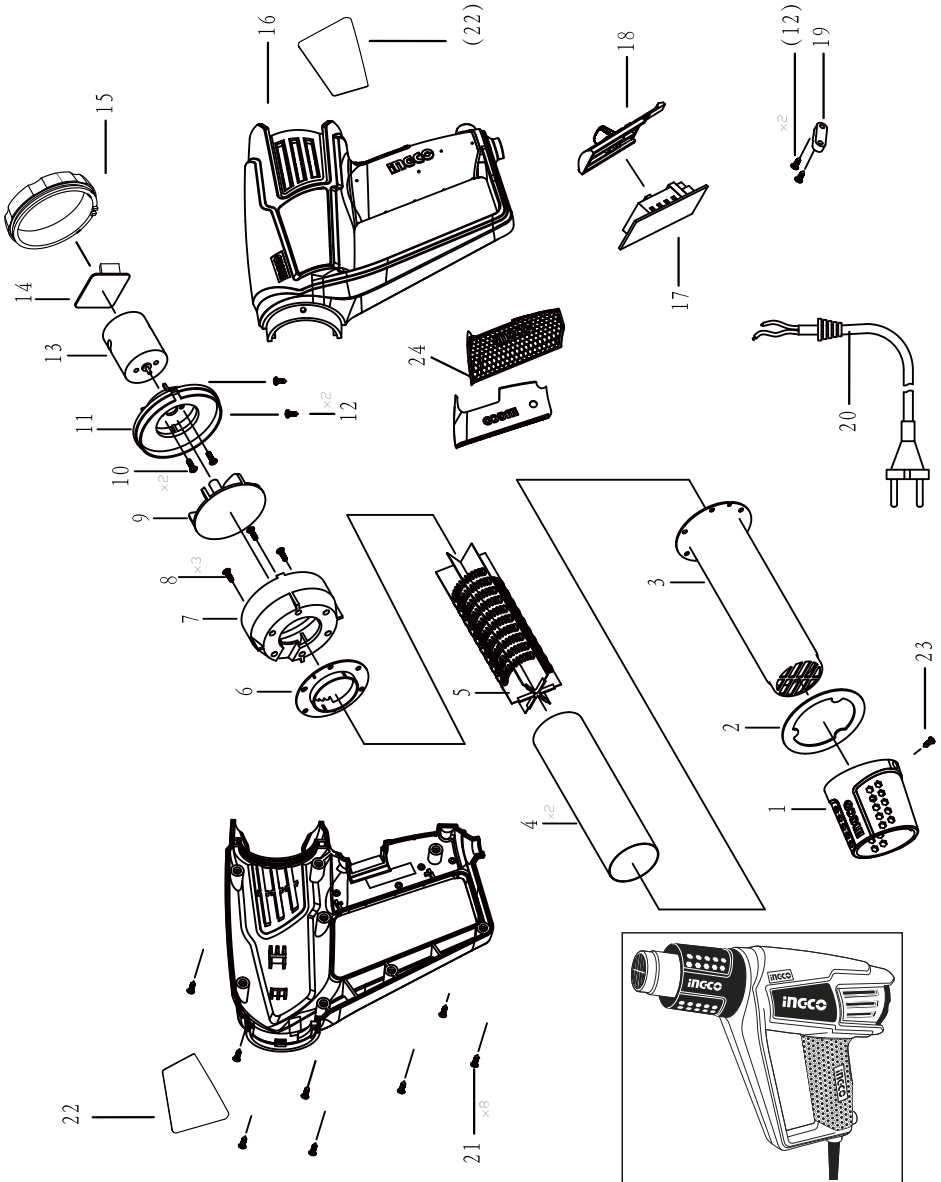
If electrical appliances are disposed of in landfills or dumps, hazardous substances can leak into the groundwater and get into the food chain, damaging your health and well-being.

When replacing old appliances with new ones, the retailer is legally obligated to take back your old appliance for disposal at least free of charge.

INGCO

EXPLODED VIEW

HG20008,UHG20008,HG20008-4,HG20008-6,HG20008-8,HG20008S Exploded view





SPARE PART LIST

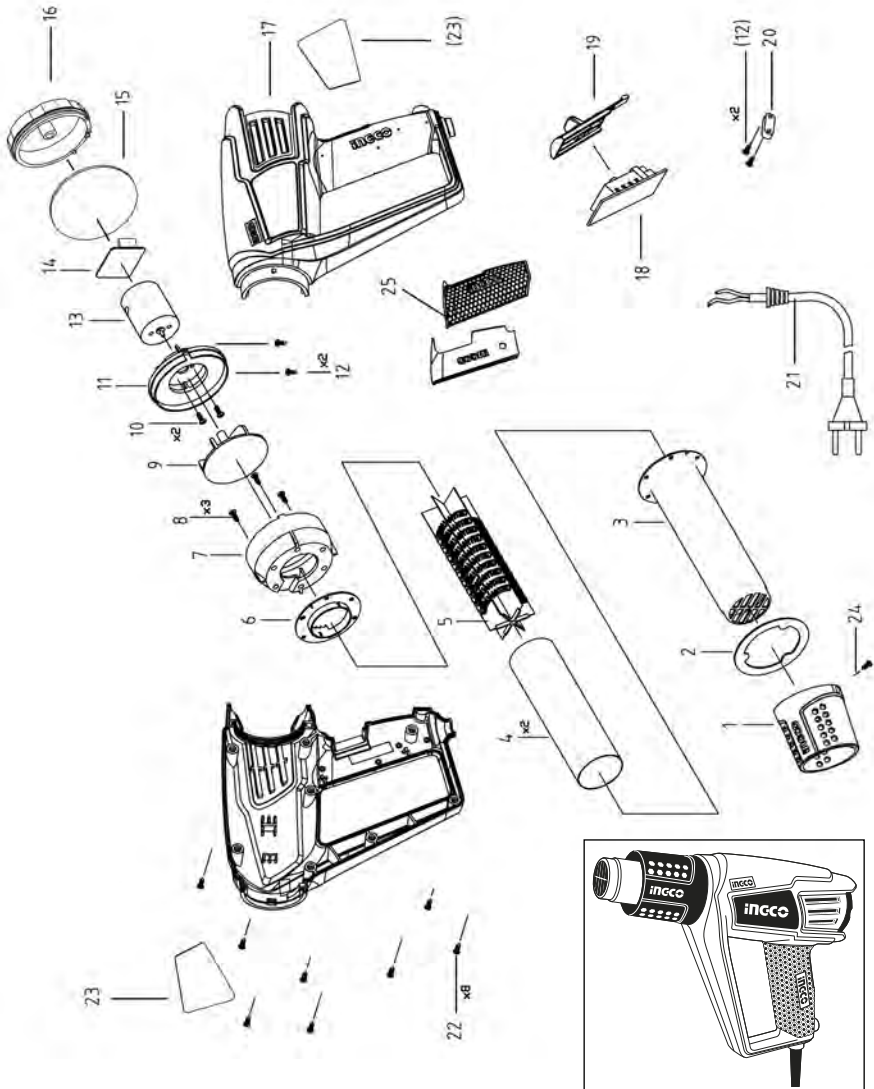
HG20008,UHG20008,HG20008-4,HG20008-6,HG20008-8,HG20008S Spare part list

| No | Part Description | Qty |
|----|---------------------|-----|
| 1 | Plastic tube | 1 |
| 2 | Steel ring | 1 |
| 3 | Steel tube | 1 |
| 4 | Micanite paper tube | 1 |
| 5 | Heating element | 1 |
| 6 | Plastic ring | 1 |
| 7 | Fan cave | 1 |
| 8 | M2.5x6 screw | 3 |
| 9 | Fan blade | 1 |
| 10 | M2x4screw | 2 |
| 11 | Motor base | 1 |
| 12 | M3x12screw | 4 |
| 13 | D.C. motor | 1 |
| 14 | PCB board | 1 |
| 15 | Tail hood | 1 |
| 16 | Plastic housing | 2 |
| 17 | Switch PCB | 1 |
| 18 | Switch plate | 1 |
| 19 | Cord grip | 1 |
| 20 | Power cord | 1 |
| 21 | M3x14screw | 8 |
| 22 | label | 2 |
| 23 | Plastic tube screw | 1 |
| 24 | safty cover | 2 |

INGCO

EXPLODED VIEW

HG20008.1,UHG20008.1 Exploded view





SPARE PART LIST

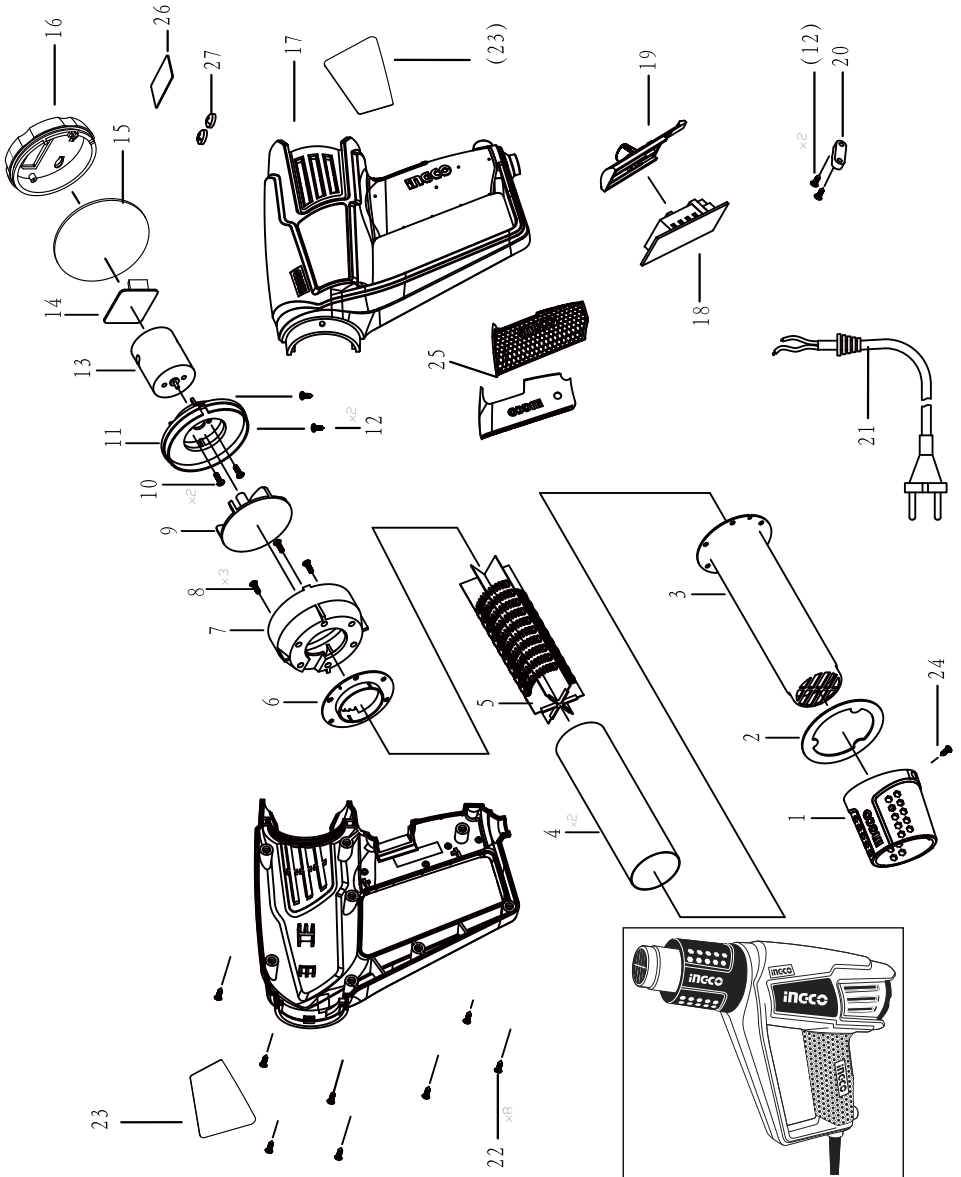
HG20008.1,UHG20008.1 Spare part list

| No | Part Description | Qty |
|----|---------------------|-----|
| 1 | Plastic tube | 1 |
| 2 | Steel ring | 1 |
| 3 | Steel tube | 1 |
| 4 | Micanite paper tube | 1 |
| 5 | Heating element | 1 |
| 6 | Plastic ring | 1 |
| 7 | Fan cave | 1 |
| 8 | M2.5x6 screw | 3 |
| 9 | Fan blade | 1 |
| 10 | M2x4screw | 2 |
| 11 | Motor base | 1 |
| 12 | M3x12screw | 4 |
| 13 | D.C. motor | 1 |
| 14 | PCB board | 1 |
| 15 | PCB | 1 |
| 16 | Tail hood | 1 |
| 17 | Plastic housing | 2 |
| 18 | Switch PCB | 1 |
| 19 | Switch plate | 1 |
| 20 | Cord grip | 1 |
| 21 | Power cord | 1 |
| 22 | M3x14screw | 8 |
| 23 | label | 2 |
| 24 | Plastic tube screw | 1 |
| 25 | safty cover | 2 |

INGCO

EXPLODED VIEW

HG20008.2,UHG20008.2,HG20082-1 Exploded view





SPARE PART LIST

HG20008.2,UHG20008.2,HG20082-1 Spare part list

| No | Part Description | Qty |
|----|---------------------|-----|
| 1 | Plastic tube | 1 |
| 2 | Steel ring | 1 |
| 3 | Steel tube | 1 |
| 4 | Micanite paper tube | 1 |
| 5 | Heating element | 1 |
| 6 | Plastic ring | 1 |
| 7 | Fan cave | 1 |
| 8 | M2.5x6 screw | 3 |
| 9 | Fan blade | 1 |
| 10 | M2x4screw | 2 |
| 11 | Motor base | 1 |
| 12 | M3x12screw | 4 |
| 13 | D.C. motor | 1 |
| 14 | PCB board | 1 |
| 15 | PCB | 1 |
| 16 | TAIL hood | 1 |
| 17 | Plastic housing | 2 |
| 18 | Switch PCB | 1 |
| 19 | Switch plate | 1 |
| 20 | Cord grip | 1 |
| 21 | Power cord | 1 |
| 22 | M3x14screw | 8 |
| 23 | label | 2 |
| 24 | Plastic tube screw | 1 |
| 25 | Handle protection | 2 |
| 26 | LCD | 1 |
| 27 | Botton | 1 |

¡Precaución!

Lea atentamente estas instrucciones y las instrucciones específicas de seguridad para reducir el riesgo de descarga eléctrica, incendio u otra lesión antes de usar la PISTOLA DE AIRE CALIENTE

Instrucciones de seguridad:

- Nunca utilizar el equipo como un secador de pelo.
- Nunca bloquea la entrada o salida de aire.
- Si el cable de alimentación está dañado, debe ser reemplazado por el fabricante, su agente de servicio o por personal cualificado con el fin de evitar un peligro ..
- No utilice el aparato en atmósfera explosiva (peligro de explosión).
- El uso inadecuado puede provocar un incendio.
- No dirija el flujo de aire directamente hacia personas o animales.
- Después de usar el equipo, deje que se enfríe completamente.
- Cuando no esté en uso, siempre guarde el equipo en un lugar seco, bajo llave y fuera de alcance de los niños.
- Después de usar el equipo, colóquelo con la boquilla hacia arriba y antes de almacenar deje que se enfríe completamente.
- Nunca deje la pistola sin vigilancia mientras esté encendido. No pierda de vista a los niños que estén cerca.
- Si el aparato no se utiliza con cuidado, puede producirse un incendio. Por lo tanto, tenga cuidado cuando utilice el aparato en lugares donde hay materiales inflamables.
- No aplique en el mismo sitio durante mucho tiempo.
- Tenga en cuenta que el calor puede ser conducido a materiales inflamables que están fuera de vista.

- 1: Boquilla
 2: Protector del calor
 3: Cubierta
 4: Pantalla LCD
 - sólo para HG20008.2
 UHG20008.2 y HG20082-1
 5: Interruptor
 6: Mango suave de agarre
 7: Protector de cable
 8: Temperatura variable
 únicamente en modelos
 HG20008.1 y UHG20008.1



2. Especificaciones técnicas

| Elemento | HG20008/HG20008-4 | HG20008.1 | HG20008.2 / HG20082-1 |
|------------------------|-------------------|----------------------------|----------------------------|
| voltaje | 220-240V~50/60Hz | 220-240V~50/60Hz | 220-240V~50/60Hz |
| consumo eléctrico máx. | 2000W | 2000W | 2000W |
| temperatura ajustable | 350° C/550° C | 80° C/80-600° C/ 80-600° C | 50° C/70-600° C/ 70-600° C |
| flujo de aire | 300/500 L/min. | 350/350/500 L/min. | 300/300/500 L/min. |

| Elemento | UHG20008 | UHG20008.1 | UHG20008.2 |
|------------------------|------------------|----------------------------|----------------------------|
| voltaje | 110-120V~50/60Hz | 110-120V~50/60Hz | 110-120V~50/60Hz |
| consumo eléctrico máx. | 2000W | 2000W | 2000W |
| temperatura ajustable | 350° C/550° C | 80° C/80-600° C/ 80-600° C | 50° C/70-600° C/ 70-600° C |
| flujo de aire | 300/500 L/min. | 350/350/500 L/min. | 300/300/500 L/min. |

3. Algunas aplicaciones:

- Eliminación de pintura / disolvente adhesivos.
- Modelar tubo de plástico.
- Soldadura de plásticos.
- Reducir el calor de acceso.
- Descongelación de las tuberías de agua

| Elemento | HG20008-6 |
|------------------------|------------------|
| | HG20008-8 |
| | HG20008S |
| voltaje | 220-240V~50/60Hz |
| consumo eléctrico máx. | 2000W |
| temperatura ajustable | 350° C/550° C |
| flujo de aire | 300/500 L/min. |

4. Puesta en funcionamiento

(1) Para HG20008 y UHG20008

La pistola empieza a funcionar cuando se empuja el interruptor hacia arriba a la posición "Π" para el nivel alto o en la posición "I" de nivel bajo como se muestra. El ventilador deja de funcionar cuando el interruptor se empuja de la posición "O" hacia abajo. Cuando se enfría, se puede guardar/empaquetar.

(2) Para HG20008.1 y UHG20008.1

Operation

Switching on:

Slide the switch to I, II or III. I:350l/min 80°C constant II:350l/min 80°C-600°C, III:500l/min 80°C-600°C. On the steps II and III, the temperature at the nozzle outlet can be continuously regulated.

(3) Para HG20008.2 , UHG20008.2 y HG20082-1

Deslice el interruptor a I, II o III. I: 300l/min. 50 ° C, permanente II: 300l/min. 70 ° C-600 ° C, III: 500l/min. 70 ° C - 600 ° C.

En los pasos II y III, la temperatura a la salida de la boquilla puede ser continuamente regulada. Después de visualizar la temperatura objetivo, la temperatura real (EG100 ° C) en la salida de la boquilla se muestra parpadeando hasta que se alcanza la temperatura objetivo seleccionada. Las flechas desaparecen y la pantalla muestra la temperatura real. La temperatura objetivo se puede aumentar con pasos de 10 grados, pulsando el lado + del botón de temperatura o reducirse presionando el -. Breve pulsación de la tecla aumentará o disminuirá con tiempo la temperatura deseada en 10 grados. Cuando la temperatura supera los 600 grados, el calor se apaga automáticamente. Sin embargo, el calentador continúa funcionando. Cuando el calentador se ha enfriado a temperatura de funcionamiento, el calentador se enciende de nuevo.

5. Mantenimiento

- Para poder trabajar con seguridad, siempre mantenga las rejillas de ventilación limpia.
- Los productos de desechos eléctricos no deben desecharse con la basura doméstica.

Por favor recicle donde existan centros para reciclaje. Pide consejos con su autoridad local o vendedor para su reciclado.

El aparato no está diseñado para ser utilizado por personas (incluidos niños) con discapacidades físicas sensoriales o mentales, o con falta de experiencia y conocimiento, a menos que hayan recibido supervisión o instrucciones acerca del uso de aparato por una persona responsable por su seguridad.

Un cuidado especial debe tenerse con los niños para que no jueguen con el aparato.



No deseche los aparatos eléctricos con los demás desperdicios domésticos, use las instalaciones de recolección selectiva.

Contacte a su gobierno local para obtener información sobre los sistemas de recolección disponibles.

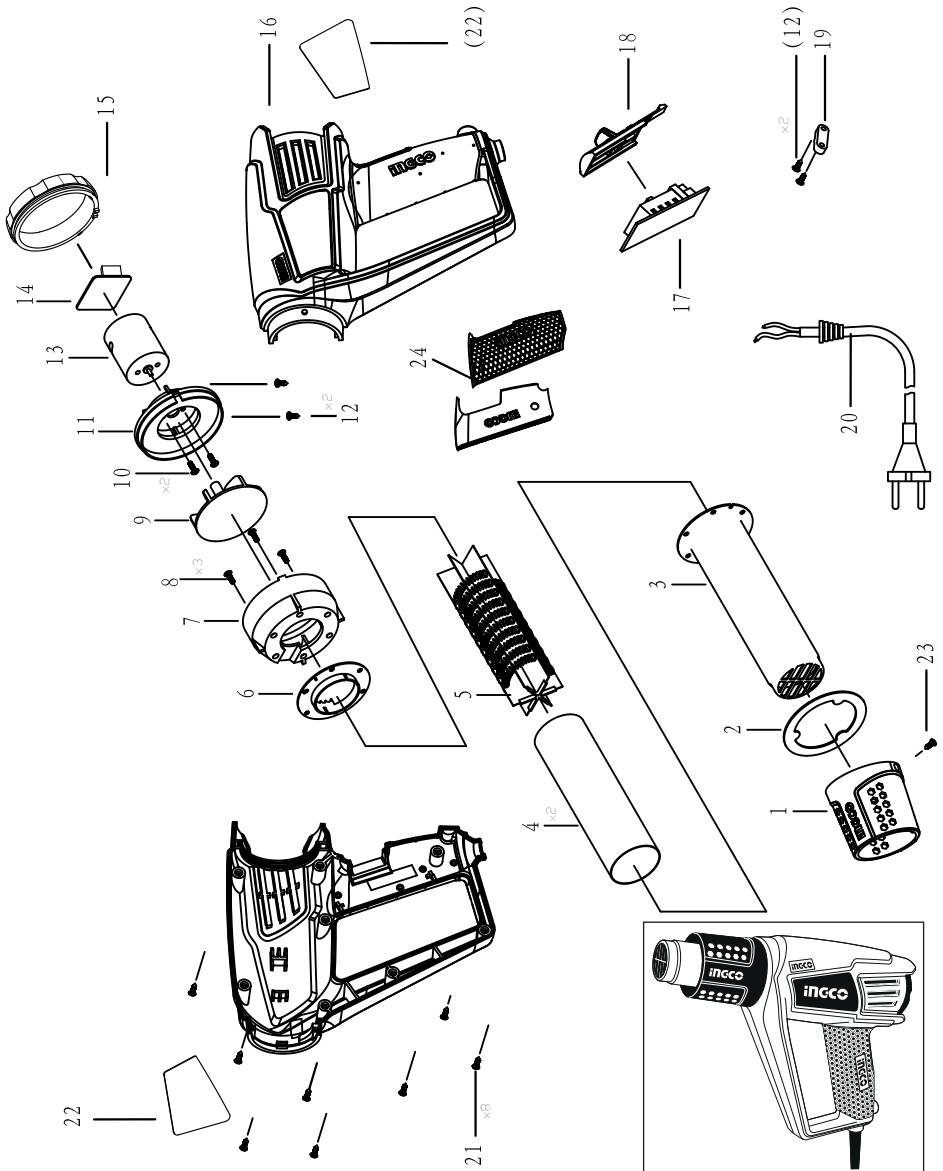
Si los aparatos eléctricos son depositados en rellenos sanitarios o vertederos, sustancias peligrosas pueden filtrarse en las aguas subterráneas y llegar hasta la cadena alimentaria, dañando la salud y bienestar.

Al sustituir los electrodomésticos viejos por otros nuevos, el vendedor tiene la obligación legal de tomar copias de los dispositivos inservibles para eliminación al menos de forma gratuita.

INGCO

VISTA DESARROLLADA

HG20008,UHG20008,HG20008-4,HG20008-6,HG20008-8,HG20008S
 Vista desarrollada





LISTA DE REPUESTOS

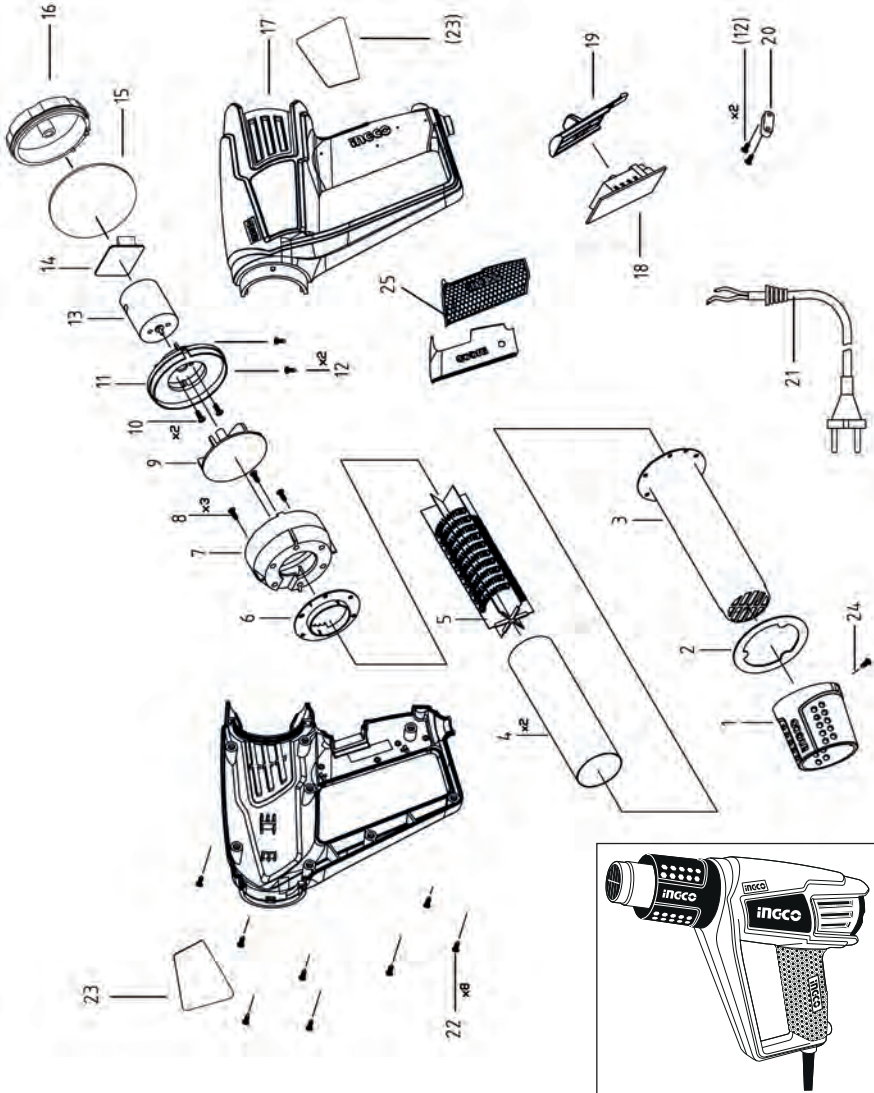
HG20008,UHG20008,HG20008-4,HG20008-6,HG20008-8,HG20008S Lista de repuestos

| No | Descripción de la parte | Cantidad |
|----|------------------------------|----------|
| 1 | tubo plástico | 1 |
| 2 | anillo de acero | 1 |
| 3 | tubo de acero | 1 |
| 4 | tubo de papel de mecanita | 1 |
| 5 | elemento de calentamiento | 1 |
| 6 | anillo de plástico | 1 |
| 7 | elemento para ventilador | 1 |
| 8 | tornillo M2.5x6 | 3 |
| 9 | pala de ventilador | 1 |
| 10 | tornillo M2x4 | 2 |
| 11 | base de motor | 1 |
| 12 | tornillo M3x12 | 4 |
| 13 | motor DC | 1 |
| 14 | placa PCB | 1 |
| 15 | cubierta de cola | 1 |
| 16 | cubierta de plástico | 2 |
| 17 | interruptor PBC | 1 |
| 18 | placa de interruptor | 1 |
| 19 | soporte de cable | 1 |
| 20 | cable de corriente | 1 |
| 21 | tornillo M3x14 | 8 |
| 22 | etiqueta/placa de fabricante | 2 |
| 23 | tornillo para tubo plástico | 1 |
| 24 | cubierta de seguridad | 2 |

INGCO

VISTA DESARROLLADA

HG20008.1,UHG20008.1 Vista desarrollada





LISTA DE REPUESTOS

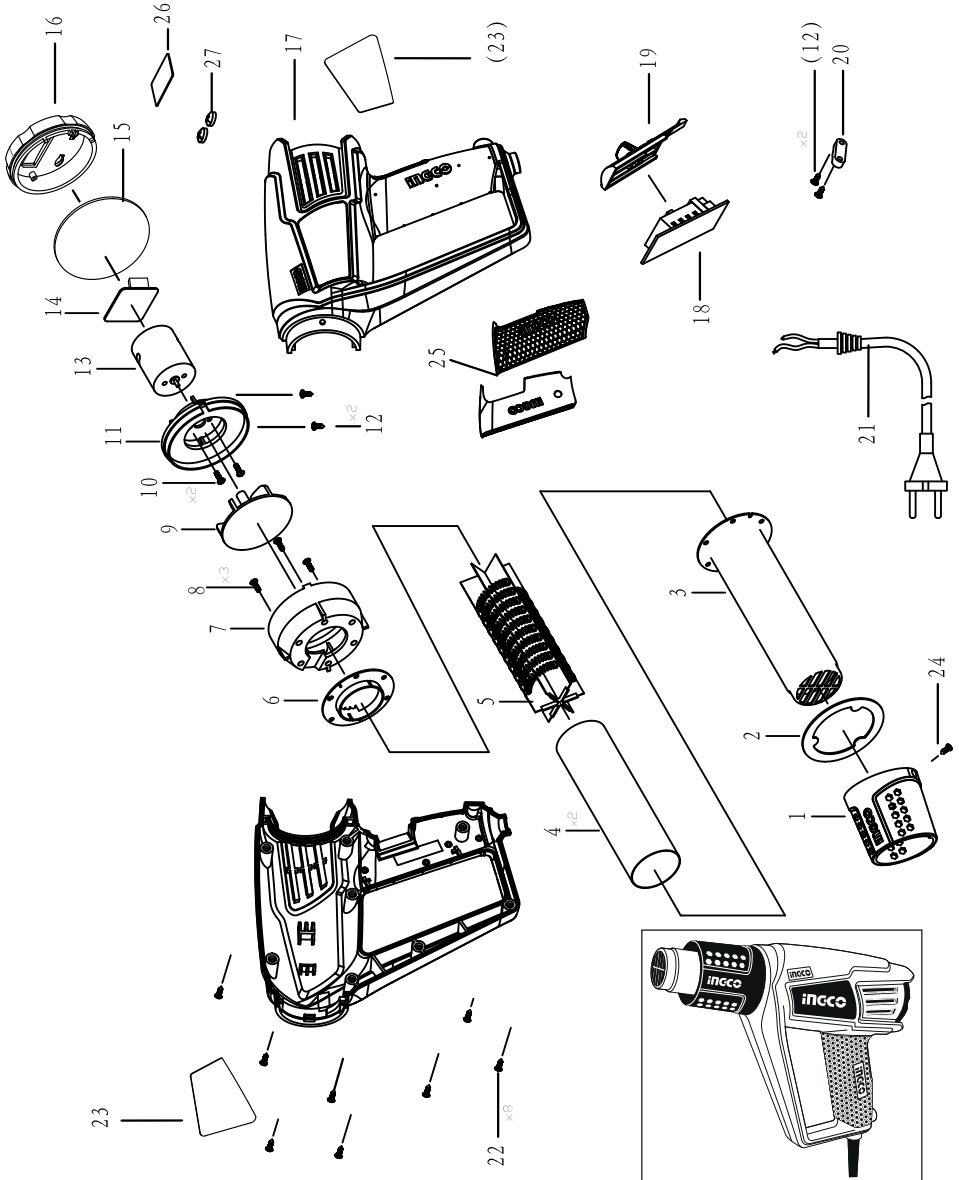
HG20008.1,UHG20008.1 Lista de repuestos

| No | Descripción de las partes | Cant. |
|----|------------------------------|-------|
| 1 | tubo plástico | 1 |
| 2 | anillo de acero | 1 |
| 3 | tubo de acero | 1 |
| 4 | tubo de papel de mecanita | 1 |
| 5 | elemento de calentamiento | 1 |
| 6 | anillo de plástico | 1 |
| 7 | elemento para ventilador | 1 |
| 8 | tornillo M2.5x6 | 3 |
| 9 | pala de ventilador | 1 |
| 10 | tornillo M2x4 | 2 |
| 11 | base de motor | 1 |
| 12 | tornillo M3x12 | 4 |
| 13 | motor DC | 1 |
| 14 | placa PCB | 1 |
| 15 | PCB | 1 |
| 16 | cubierta de cola | 1 |
| 17 | cubierta de plástico | 2 |
| 18 | interruptor PCB | 1 |
| 19 | placa de interruptor | 1 |
| 20 | soporte de cable | 1 |
| 21 | cable de corriente | 1 |
| 22 | tornillo M3x14 | 8 |
| 23 | etiqueta/placa de fabricante | 2 |
| 24 | tornillo para tubo plástico | 1 |
| 25 | cubierta de seguridad | 2 |

INGCO

VISTA DESARROLLADA

HG20008.2,UHG20008.2,HG20082-1 Vista desarrollada





LISTA DE REPUESTOS

HG20008.2,UHG20008.2,HG20082-1 Lista de repuestos

| No | Descripción de las partes | Cant. |
|----|--------------------------------|-------|
| 1 | tubo plástico | 1 |
| 2 | anillo de acero | 1 |
| 3 | tubo de acero | 1 |
| 4 | tubo de papel de mecanita | 1 |
| 5 | elemento de calentamiento | 1 |
| 6 | anillo de plástico | 1 |
| 7 | elemento para ventilador | 1 |
| 8 | tornillo M2.5x6 | 3 |
| 9 | pala de ventilador | 1 |
| 10 | tornillo M2x4 | 2 |
| 11 | base de motor | 1 |
| 12 | tornillo M3x12 | 4 |
| 13 | motor DC | 1 |
| 14 | placa PCB | 1 |
| 15 | PCB | 1 |
| 16 | cubierta de cola | 1 |
| 17 | cubierta de plástico | 2 |
| 18 | interruptor PCB | 1 |
| 19 | placa de interruptor | 1 |
| 20 | soporte de cable | 1 |
| 21 | cable de corriente | 1 |
| 22 | tornillo M3x14 | 8 |
| 23 | etiqueta/placa de fabricante | 2 |
| 24 | tornillo para tubo plástico | 1 |
| 25 | protección de empuñadura/mango | 2 |
| 26 | LCD | 1 |
| 27 | botón | 1 |

INGCO



INGCO TOOLS CO., LIMITED

www.ingco.com

MADE IN CHINA

0419.V12

**HG20008 UHG20008 HG20008-4 HG20008-6 HG20008-8 HG20008S
HG20008.2 UHG20008.2 HG20008.1 UHG20008.1 HG20082-1**